

# TRANSFORMERS

MASTERPIECE OPTIMUS PRIME™

LEVEL: 0 1 2 3  
ADVANCED

AUTOBOT™

NOTE: Some parts are made to detach if excessive force is applied and are designed to be reattached if separation occurs. Adult supervision may be necessary for younger children.



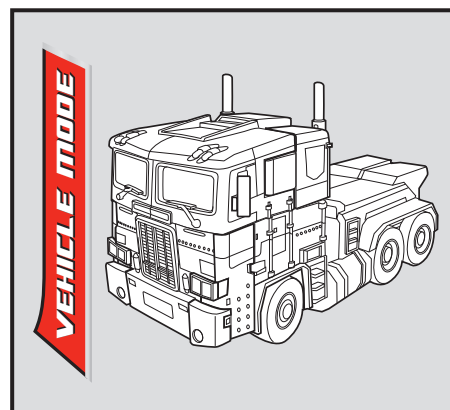
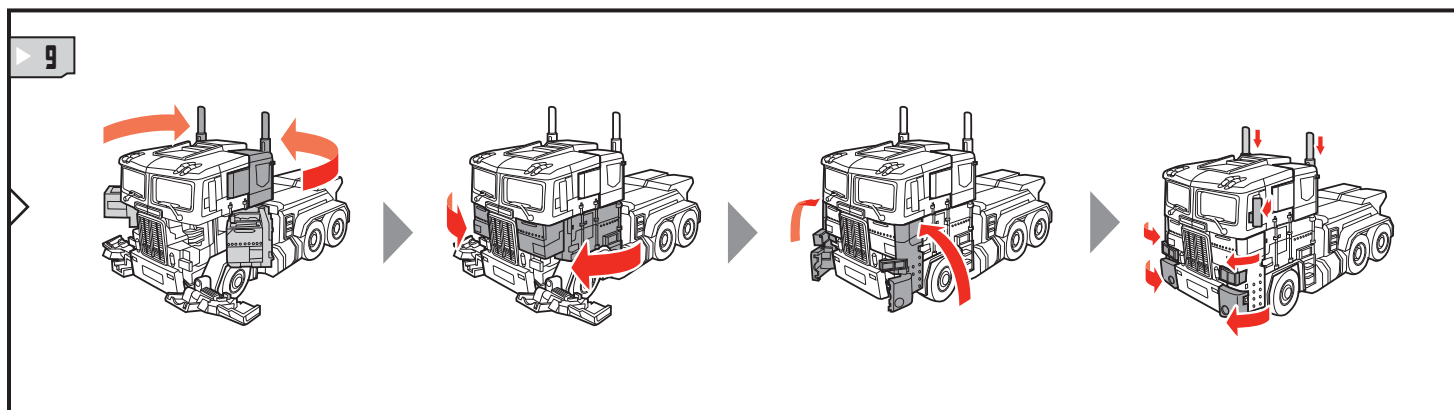
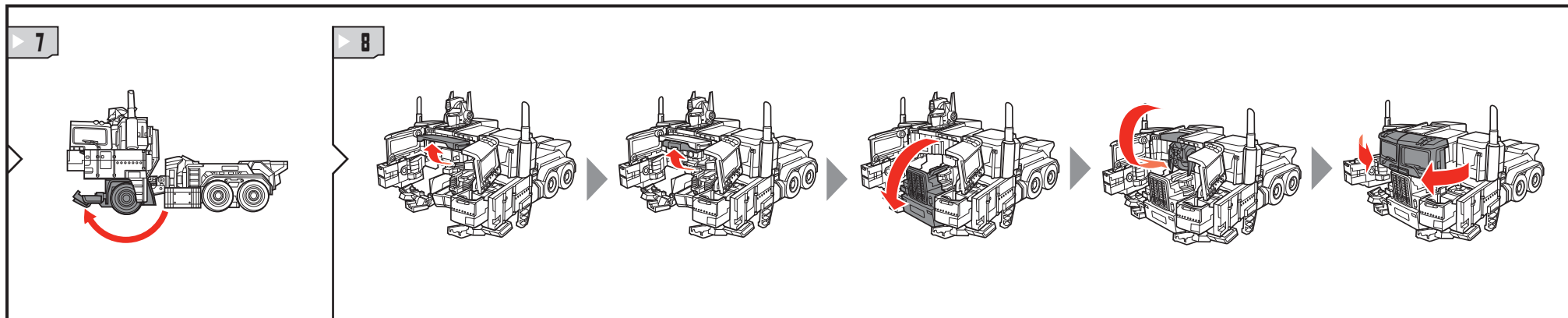
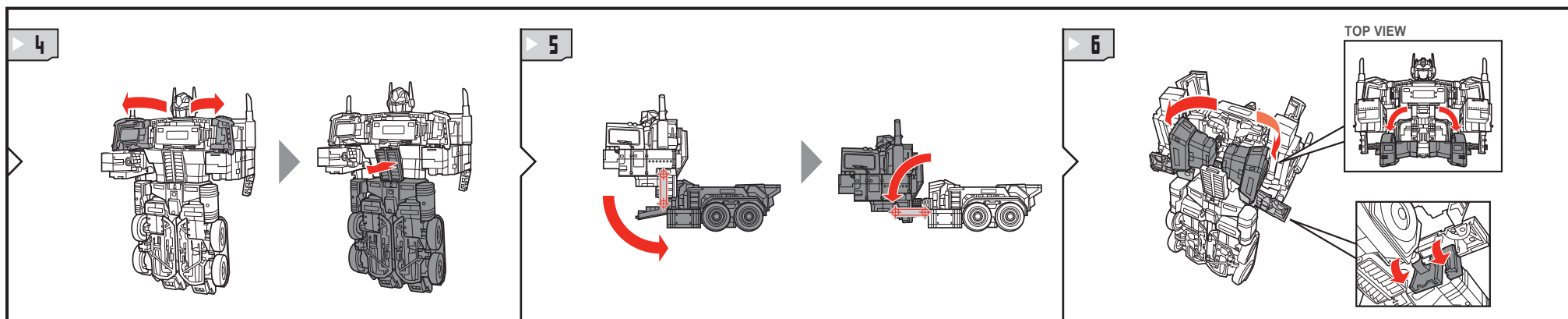
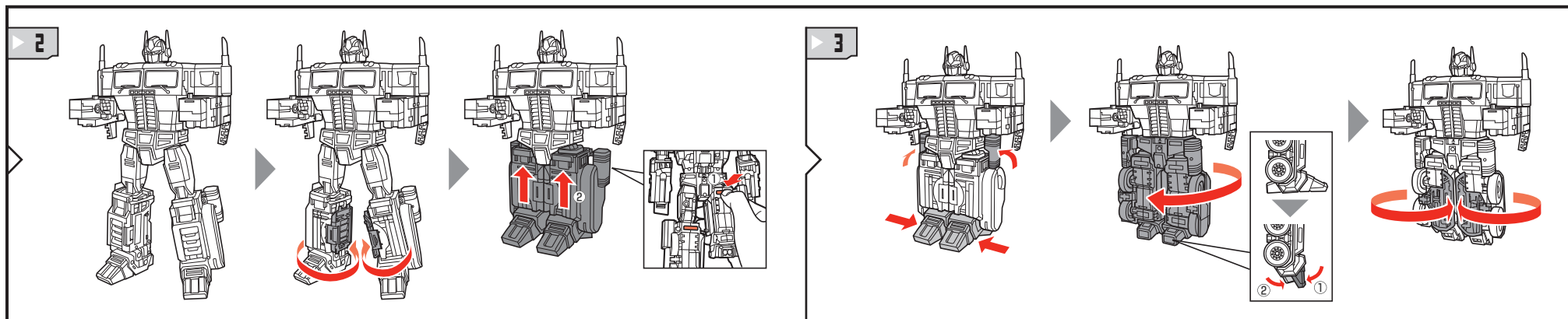
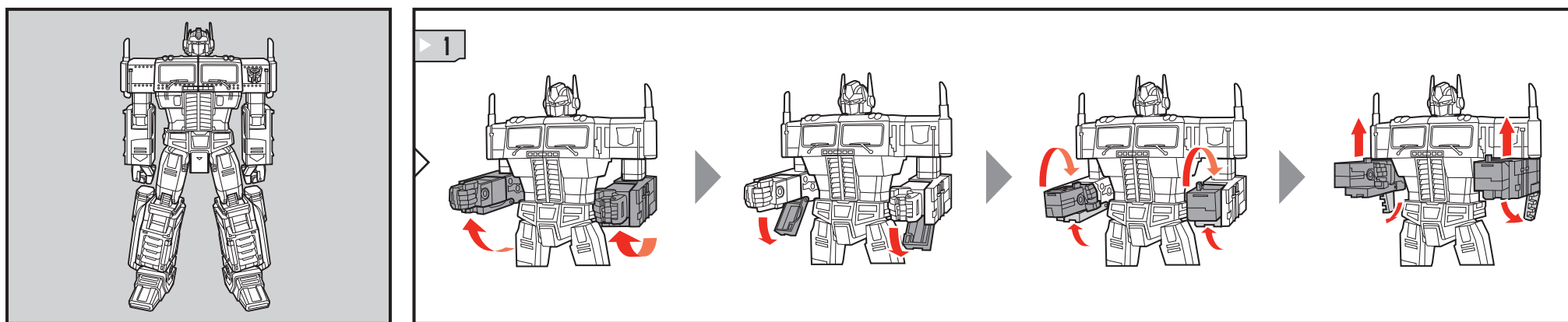
**WARNING:**

CHOKING HAZARD—Small parts.  
Not for children under 3 years.

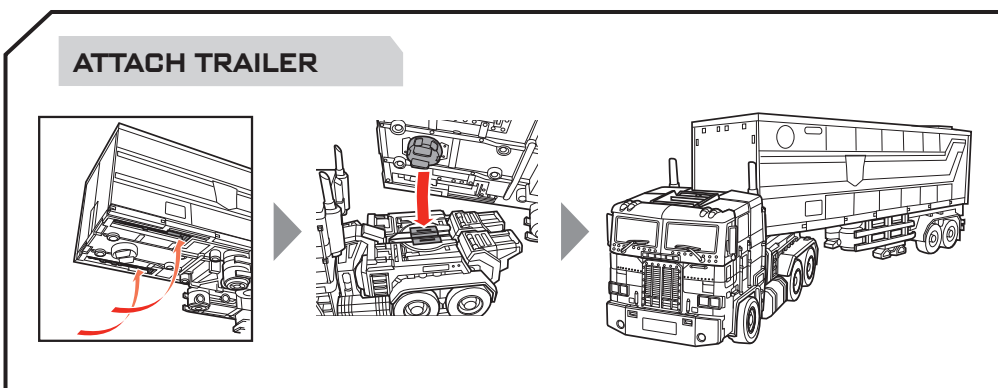
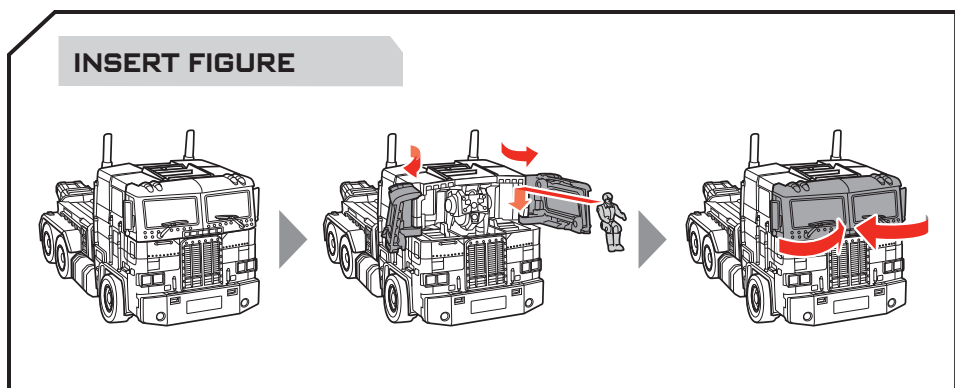
**AGES 5+**

A0782

## CHANGING TO VEHICLE



REVERSE ORDER OF INSTRUCTIONS  
TO CONVERT BACK INTO ROBOT.





### ION CANNON

**STORAGE**

1. Insert the storage pin into the top of the cannon.
2. Push the storage mechanism down until it locks.

### BATTLE STATION

1. Attach the main structure to the base.
2. Attach the side panels.
3. Attach the top cover.
4. Attach the front panel.
5. Attach the rear panel.
6. Attach the Ion Cannon to the front.

### AUTOBOT ROLLER™

### ENERGON AXE

### MAINTENANCE DOCK

**ION CANNON STORAGE**

**ENERGON AXE STORAGE**

**TO CONVERT BACK INTO TRAILER.**

### TRAILER

### MATRIX OF LEADERSHIP

Push to remove.

Retain instructions for future reference.

[TRANSFORMERS.COM/INSTRUCTIONS](http://TRANSFORMERS.COM/INSTRUCTIONS)

Product and colors may vary. Some poses may require additional support.  
 Manufactured under license from TOMY Company, Ltd.  
 © 2012 Hasbro. All Rights Reserved. TM & © denote U.S. Trademarks.

**Hasbro**

P/N 728352000