

Avoid getting LIGHTS ALIVE wet.



Questions? Call:
1-800-PLAYSKL™

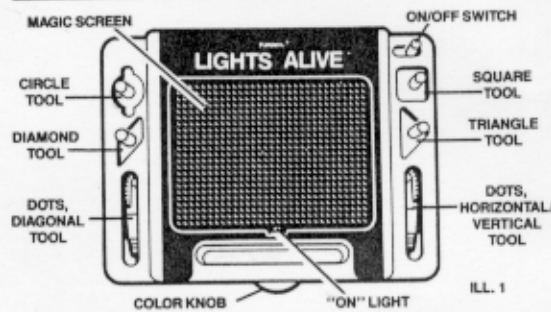
Ages: 3 &

PLAYSKOOL LIGHTS ALIVE®

INSTRUCTIONS

CAUTION: TO AVOID BATTERY LEAKAGE

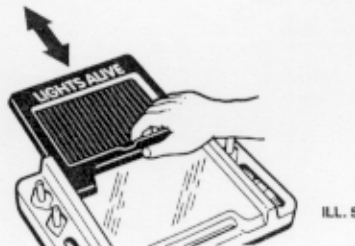
1. Be sure to insert the batteries correctly and always follow the toy and battery manufacturer's instructions.
2. Never mix old batteries with new batteries, or standard (carbon-zinc) batteries with alkaline batteries.
3. Always remove exhausted or dead batteries from the product.



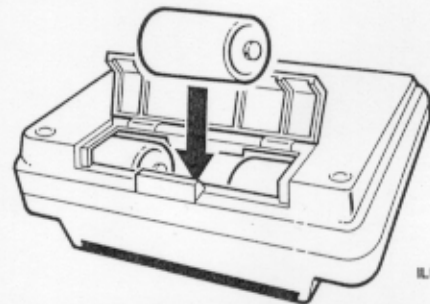
- 1 LIGHTS ALIVE comes with 6 special tools for making dots, lines, circles, diamonds squares and triangles to create lots of different designs. ILL. 1



- 3 Turn LIGHTS ALIVE right side up. Turn on LIGHTS ALIVE. Select the tools you need to create a picture or design. Press tools into screen to make holes. ILL. 3



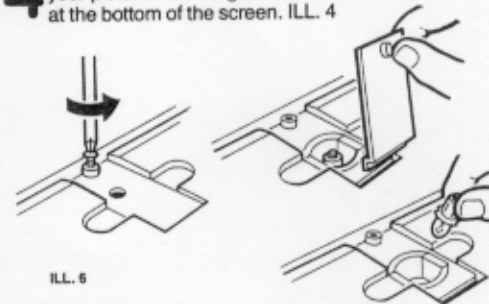
- 5 To erase your picture, slide the screen forward and then back again. Now, you are ready to start again. **NOTE:** For best results, always clear the screen after playing with Lights Alive. If a picture is left on the screen for several hours, a portion of the picture may remain on the screen for a short period of time after clearing. ILL. 5



- 2 Turn LIGHTS ALIVE over. Open the battery cover and insert 3 "D" size alkaline batteries in compartment as shown. (Insert center battery last.) Batteries not included. Close cover. ILL. 2



- 4 Colored lights show through the holes and light up your picture. To change the colors, turn the color knob at the bottom of the screen. ILL. 4



- PARENTS:**
- 6 To change light bulb, turn LIGHTS ALIVE off. Turn LIGHTS ALIVE over. Remove screw from bottom panel using Phillips head screwdriver. Lift out old light bulb. Fit a new, type PR-3 light bulb with flange style base as replacement. Close bottom panel. ILL. 6